

# CM-FL1

Fire Indicating Lamp

ISO9001

Approvals: CE RoHS



# CM-RL1

Remote Indicating Lamp

ISO9001

Approvals: CE



## ■ ADVANTAGES

### CM-FL1

- \* Plug-in type of Termination for ease of installation
- \* Highly visible
- \* SMD LED give high brightness while it has lower power consumption

### CM-RL1

- \* This unit is designed to ensure the alarm signal can be actually transmitted to all locations.
- \* To prevent any missing signal specially for the close room

## ■ SPECIFICATION

MODEL NO.	CM-FL1	CM-RL1
POWER SOURCE	24V DC	Power Source from Detector Base
ALARM CURRENT	12 mA	
AMBIENT TEMP.	-10°C ~ +55°C	
MATERIAL	Fire-Proof plastics	
WEIGHT	52g	28g
DIMENSIONS	Φ92 × 58(H)mm	86(W) × 86(D) × 60(H)mm
COLOR	Red	White

## ■ ORDER INFORMATION

CM-FL1	Fire Indicating Lamp with SMD LED
CM-RL1	Remote Indicating Lamp

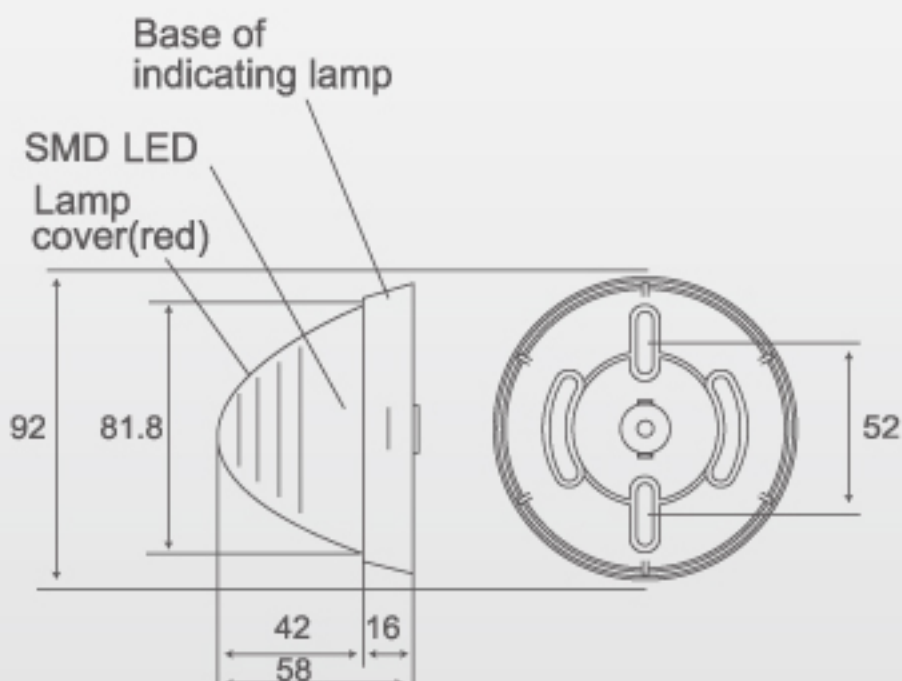
## ■ LAMP ACCESSORIES



FL10:  
Only for CM-FL1 Use

## ■ CM-FL1

Unit : mm



## ■ CM-RL1

Unit : mm

