

PHOTOELECTRIC SMOKE DETECTORS

FDK01U / FDKL01U

FDK01U



FDKL01U



DESCRIPTION

Models FDK01U and FDKL01U photoelectric smoke detectors respond to a broad spectrum of both flaming and smoldering fire conditions.

They are designed for 2-wire and 4-wire installation with the proper base.

These models operate over a 10.2 to 36.8VDC range (24V nominal) with compatible control units.

FDK01U and FDKL01U are set at a nominal sensitivity of 3.0% per foot smoke obscuration.

Companion model FDKL01U includes a thermistor heat detector with a 135° F (57°C) set point.

FEATURES

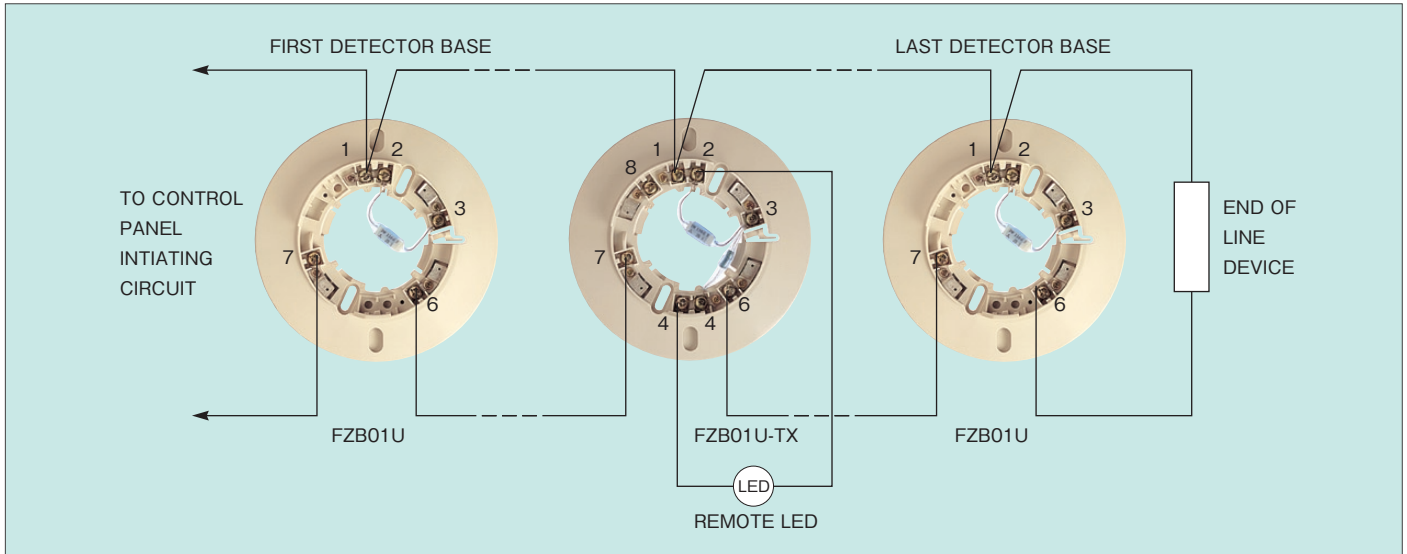
- (1) Low profile appearance
- (2) Inplace sensitivity measurement in percent (%) per foot obscuration
- (3) Wide range input voltage 10.2 to 36.8VDC
- (4) High air velocity rating
- (5) Improved fine mesh insect screen
- (6) 2-and 4-wire, low-current design
- (7) Remote functional test capability
- (8) Local functional test capability
- (9) 1 Year warranty

SPECIFICATIONS

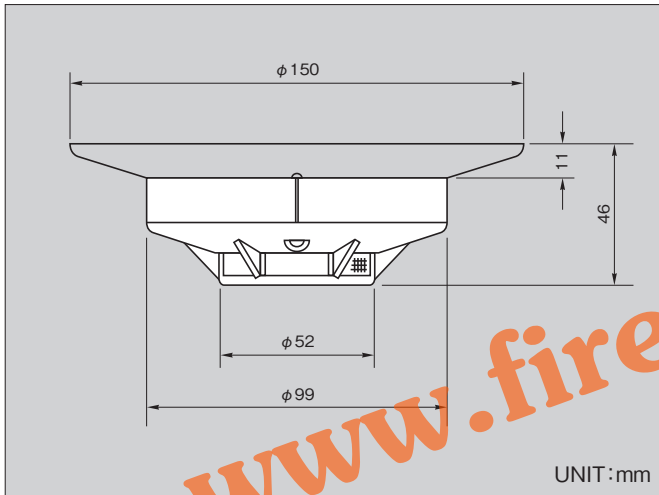
| Model no. | FDK01U | FDKL01U |
|------------------------------------|--------------------------------------|--------------------------|
| ALLOWABLE RANGE OF VOLTAGE | 10.2 to 36.8 VDC | |
| MAXIMUM RIPPLE | 50% of DC input | |
| STANDBY CURRENT | 45µA (typical) 100µA (peak) at 24VDC | |
| START-UP CURRENT | 0.1mA max. | |
| ALARM CURRENT | 100mA max. | |
| NORMAL OPERATING TEMPERATURE RANGE | 0 to 49°C (32 to 120° F) | 0 to 46°C (32 to 115° F) |
| NOMINAL SENSITIVITY | 3.0%/ft | |
| WEIGHT | Approx. 80g | Approx. 90g |

NOHMI BOSAI LTD.

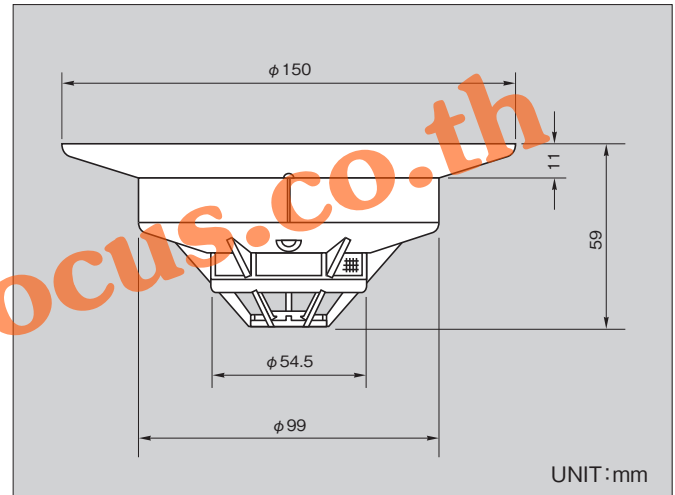
TYPICAL WIRING DIAGRAM



FDK01U WITH FZB01U



FDKL01U WITH FZB01U



| Model no. | DESCRIPTION |
|------------|---|
| FZB01U | Connects to 2-wire detection circuit via screw terminals. |
| FZB01U-TX | Same as above plus provision for remote LED indicator and remote functional test. |
| FZB01U-SX | Connects to 2-wire detection circuit via pigtail leads. |
| FZB01U-4SX | Connects to 4-wire detection circuit via pigtail leads. |
| FRL01U | 2-wire relay module component of FZB01U-SX above. |
| FRL01U-4 | 4-wire relay module component of FZB01U-4SX above. |
| FTZ01U | Sensitivity Tester for local functional test. |

- These instructions do not purport to cover all the details or variations in the equipment described, nor provide for every possible contingency to be met in connection with installation, operation and maintenance.
- Specifications are subject to change without notice. Contact Nohmi before relying on above specifications.
- Actual performance is based on proper application of the product by a qualified professional.
- Should further information be desired or should particular problems arise, which are not covered sufficiently for the purchaser's purposes, the matter should be referred to Nohmi or a distributor in your region.

NOHMI
NOHMI BOSAI LTD.

- HEAD OFFICE : 7-3, Kudan Minami 4-chome, Chiyoda-ku, Tokyo 102-8277, Japan
- PHONE : (81)3-3265-0231
- F A X : (81)3-3265-5348
- U R L : <http://www.nohmi.co.jp/english/>