

MANUAL FIRE ALARM BOX FMM SERIES

FEATURES

- Push-button type manual fire alarm box
- Restorable plexi-glass used
- Easy reset after operation
- Tele-communication means provided (FMM120A and FMM160A only)
- Response lamp provided (FMM120A and FMM160A only)
- Compatible with conventional fire alarm panels only
- Able to start the hydrant pump in combination with NOHMI's fire alarm panel and NOHMI's hydrant pump starting relay box
- Approved by Japan Fire Equipment Inspection Institute



DESCRIPTION

The NOHMI's FMM series manual fire alarm box is used to manually initiate a fire alarm signal by pushing the plexi-glass which is connected to the push-button switch. The operated plexi-glass is restored by only lifting up the reset lever inside the jack cover. A telephone jack is provided inside the jack cover on FMM120A and FMM160A. Putting the plug of a handset into the jack makes the tele-communication be ready between the fire alarm panel and the manual fire

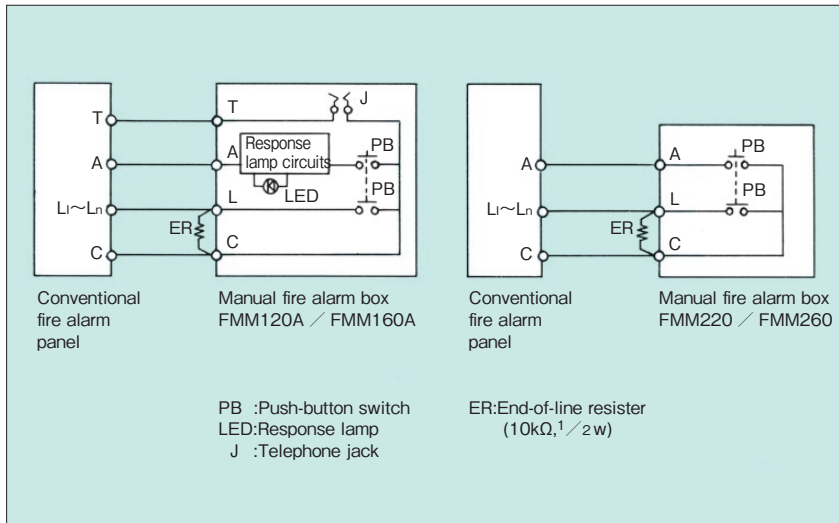
alarm box. A response lamp is also provided on FMM120A and FMM160A to indicate that a fire alarm signal has been received at the fire alarm panel. The fire alarm signal initiated from a manual fire alarm box can be utilized to start the hydrant pump with a NOHMI's FYH series Hydrant Pump Starting Relay Box incorporated.

SPECIFICATIONS

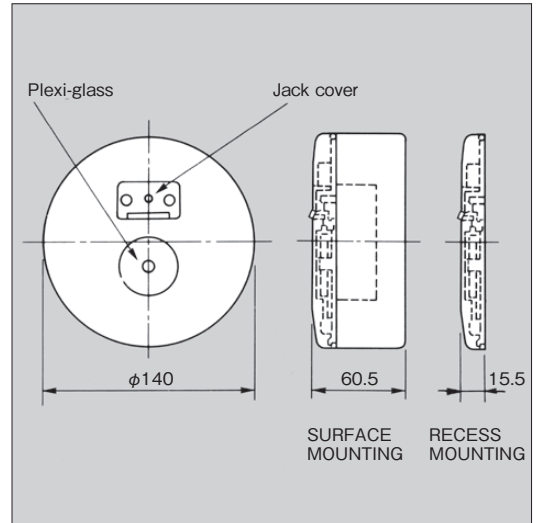
Model No.	FMM120A	FMM160A	FMM220	FMM260
MOUNTING	Surface	Recess	Surface	Recess
TELEPHONE JACK	Provided	Provided	N.A.	N.A.
RESPONSE LAMP	Provided	Provided	N.A.	N.A.
CONTACT RATING	30VDC,0.5A			
MATERIALS	Housing:Steel sheet with a thickness of 1.2mm			
FINISH	Baked melamin(Red)			
WEIGHT	Approx. 605g	Approx. 275g	Approx. 595g	Approx. 265g

NOHMI BOSAI LTD.

TYPICAL WIRING DIAGRAM

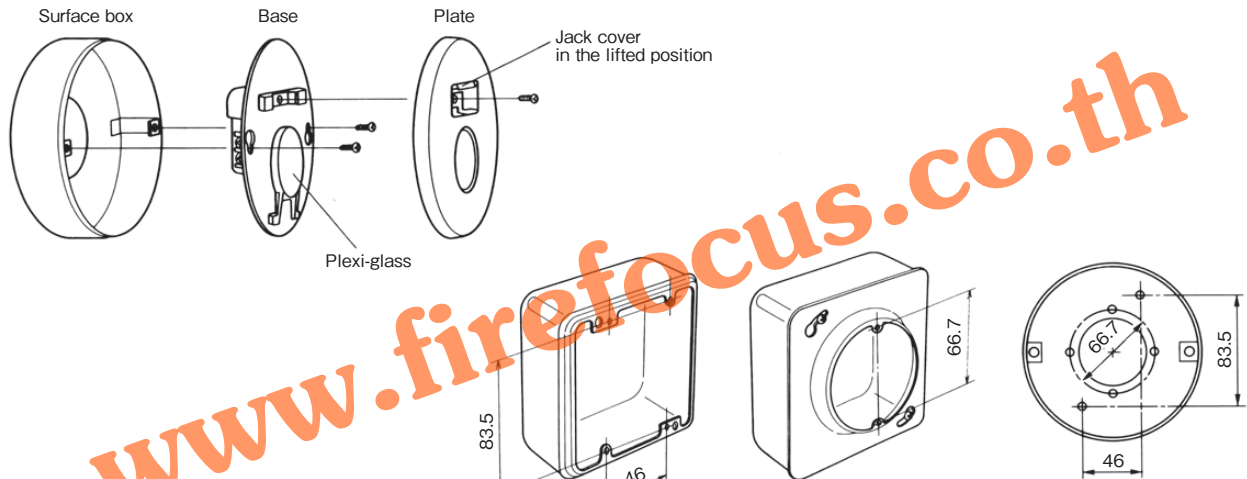


DIMENSIONS

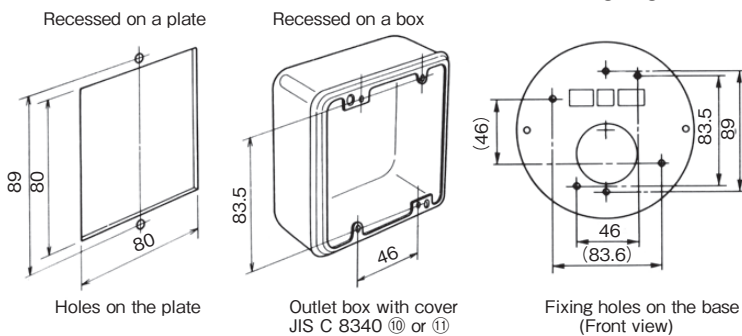


INSTALLATION

● SURFACE MOUNTING



● RECESS MOUNTING



- These instructions do not purport to cover all the details or variations in the equipment described, nor provide for every possible contingency to be met in connection with installation, operation and maintenance.
- Specifications are subject to change without notice. Contact Nohmi before relying on above specifications.
- Actual performance is based on proper application of the product by a qualified professional.
- Should further information be desired or should particular problems arise, which are not covered sufficiently for the purchaser's purposes, the matter should be referred to Nohmi or a distributor in your region.

NOHMI
NOHMI BOSAI LTD.

- HEAD OFFICE : 7-3, Kudan Minami 4-chome, Chiyoda-ku, Tokyo 102-8277, Japan
- PHONE : (81)3-3265-0231
- F A X : (81)3-3265-5348
- U R L : <http://www.nohmi.co.jp/english/>