

COMBINATION BOX

FWLN SERIES

FEATURES

- Three-in-one (location lamp, manual fire alarm box, and fire alarm bell)
- Cutting-edge new design
- Surface and recess mountings available
- Easy installation

DESCRIPTION

The combination box consists of a location lamp, a manual fire alarm box, and a fire alarm bell, designed based on a new concept considering functionality, accessibility, and usability.

The ring-shaped location lamp is positioned around the manual alarm box so that the exact location of the manual alarm box can be found even in dark places. Thanks to the new design concept of the ring-shaped location lamp with the manual alarm box, which won the Japan Good Design Gold Award 2014, the surface depth is only 15mm in recess mounting and 75mm in surface mounting.

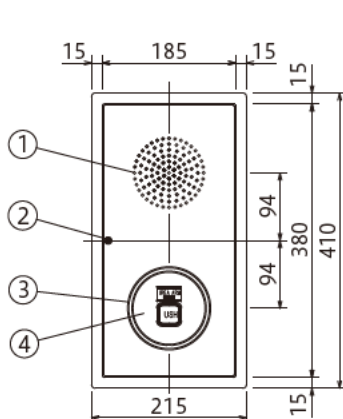
The physical structure of this well-designed three-in-one product makes the wiring very easy when installed.



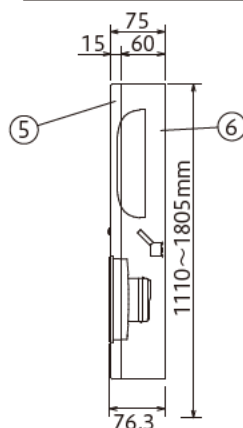
SPECIFICATIONS

MODEL NO.	FWLN007-R-P1	FWLN007-R-P1W	FWLN007-U-P1	FWLN007-U-P1W
MODEL NO. OF PLATE	ZBPN007-P1	ZBPN007-P1W	ZBPN007-P1	ZBPN007-P1W
MODEL NO. OF BOX	ZBRJ003A-T	ZBRJ003A-T	ZBC006-T	ZBC006-T
USE SPECIFICATIONS	Surface mounting Indoor use	Surface mounting Outdoor use	Recess mounting Indoor use	Recess mounting Outdoor use
AMBIENT TEMPERATURE	-10 to 40°C			
SOUND OUTPUT	>90 dB/1M			
MAIN MATERIALS OF PLATE AND BOX	1.2mm steel sheet for plate and surface mounting box 1.6mm steel sheet for recess mounting box			
FINISH	Baking finish for plate and surface mounting box, color equivalent to Munsell N8.7, semi-gloss Black paint for recess mounting box			
CONTAINED DEVICES	FMMN series manual alarm box FLPJ series location lamp FBM series fire alarm bell			

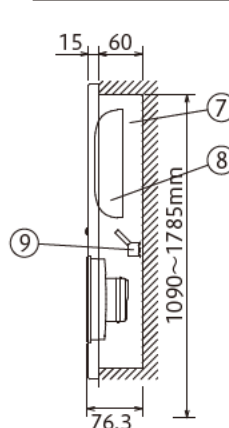
DIMENSIONS



SURFACE MOUNTING



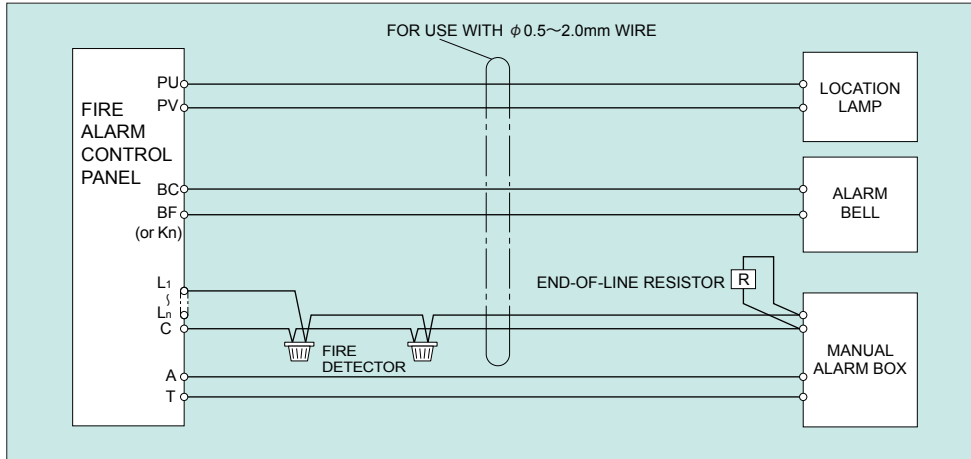
RECESS MOUNTING



- ① Acoustic holes
- ② Fixing screw
- ③ Location lamp (ring-shaped)
- ④ Manual alarm box
- ⑤ Plate
- ⑥ Surface mounting box
- ⑦ Recess mounting box
- ⑧ Audible device (alarm bell)
- ⑨ Terminals (12P)

NOHMI BOSAI LTD.

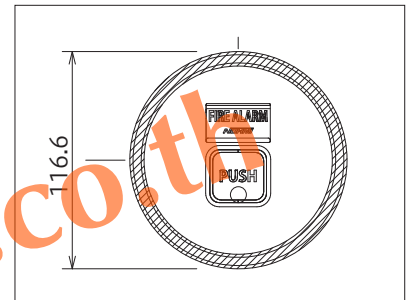
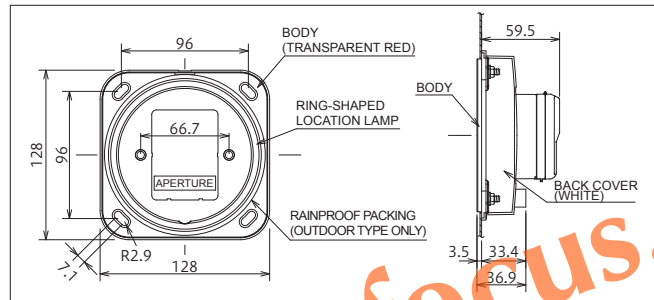
TYPICAL WIRING DIAGRAM



LOCATION LAMP FLPJ SERIES



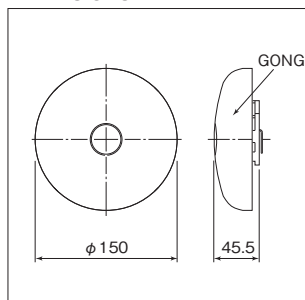
DIMENSIONS



FIRE ALARM BELL FBM SERIES



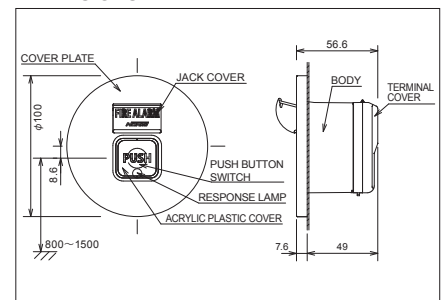
DIMENSIONS



MANUAL FIRE ALARM BOX FMM SERIES



DIMENSIONS



- The information contained herein does not purport to cover all the details or variations of the equipment described, nor to provide for every possible contingency that may be met in connection with its installation, operation, or maintenance.
- Specifications are subject to change without notice. Contact NOHMI before relying on the information.
- Actual performance is based on proper application of the product by a qualified professional.
- Should further information be required or should particular concerns arise that are not covered sufficiently for the purchaser's purposes, the matter should be referred to NOHMI or your nearest distributor.

NOHMI
NOHMI BOSAI LTD.

● HEAD OFFICE: 7-3, Kudan Minami 4-chome,
Chiyoda-ku, Tokyo 102-8277, Japan

● PHONE: (81) 3-3265-0231

● FAX: (81) 3-3265-5348

● URL: <http://www.nohmi.co.jp/english/>