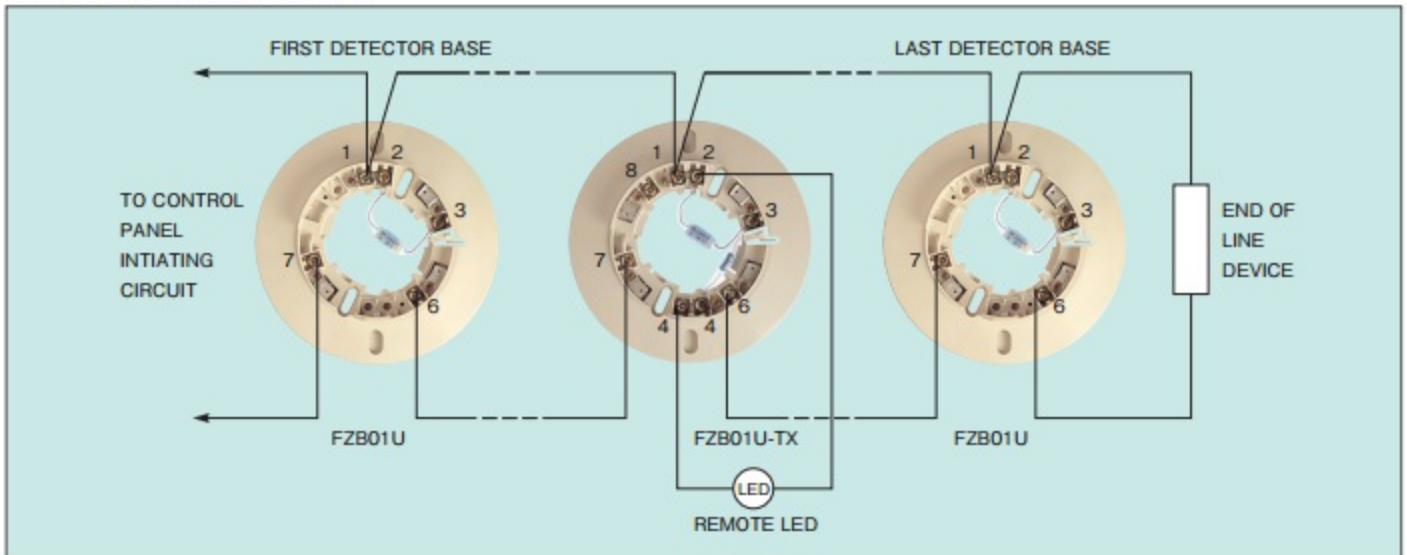
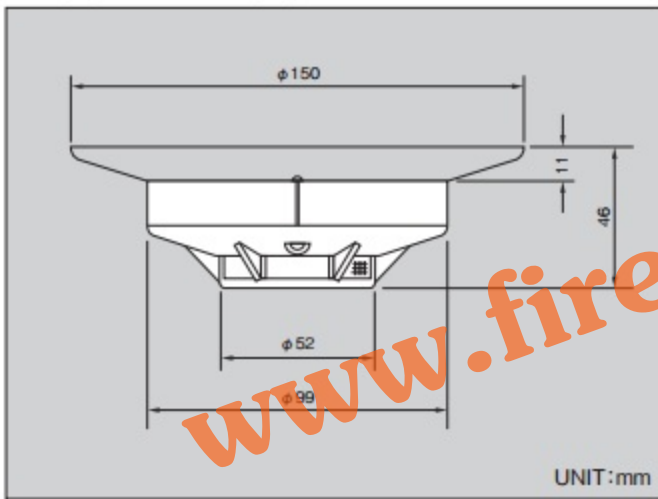


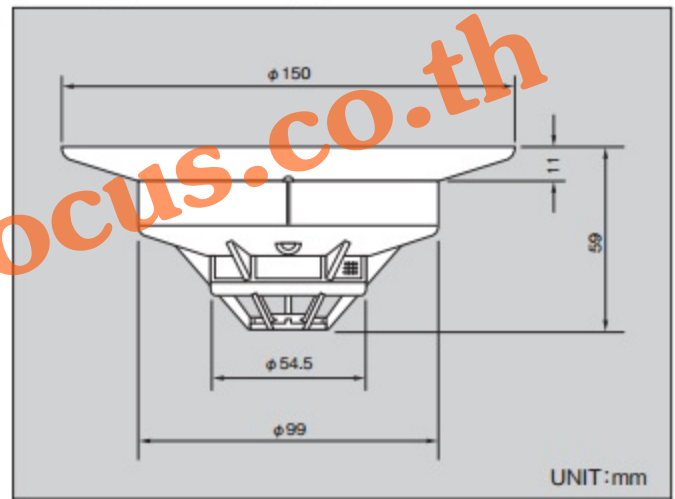
TYPICAL WIRING DIAGRAM



FDK01U WITH FZB01U



FDKL01U WITH FZB01U



Model no.	DESCRIPTION
FZB01U	Connects to 2-wire detection circuit via screw terminals.
FZB01U-TX	Same as above plus provision for remote LED indicator and remote functional test.
FZB01U-SX	Connects to 2-wire detection circuit via pigtail leads.
FZB01U-4SX	Connects to 4-wire detection circuit via pigtail leads.
FRL01U	2-wire relay module component of FZB01U-SX above.
FRL01U-4	4-wire relay module component of FZB01U-4SX above.
FTZ01U	Sensitivity Tester for local functional test.

- These instructions do not purport to cover all the details or variations in the equipment described, nor provide for every possible contingency to be met in connection with installation, operation and maintenance.
- Specifications are subject to change without notice. Contact Nohmi before relying on above specifications.
- Actual performance is based on proper application of the product by a qualified professional.
- Should further information be desired or should particular problems arise, which are not covered sufficiently for the purchaser's purposes, the matter should be referred to Nohmi or a distributor in your region.